

# Трансмиситтер влажности и температуры DELTA OHM серии HVAC40 – HVAC

## Технические характеристики

**Архангельск** (8182)63-90-72  
**Астана** (7172)727-132  
**Астрахань** (8512)99-46-04  
**Барнаул** (3852)73-04-60  
**Белгород** (4722)40-23-64  
**Брянск** (4832)59-03-52  
**Владивосток** (423)249-28-31  
**Волгоград** (844)278-03-48  
**Вологда** (8172)26-41-59  
**Воронеж** (473)204-51-73  
**Екатеринбург** (343)384-55-89  
**Иваново** (4932)77-34-06

**Ижевск** (3412)26-03-58  
**Иркутск** (395)279-98-46  
**Казань** (843)206-01-48  
**Калининград** (4012)72-03-81  
**Калуга** (4842)92-23-67  
**Кемерово** (3842)65-04-62  
**Киров** (8332)68-02-04  
**Краснодар** (861)203-40-90  
**Красноярск** (391)204-63-61  
**Курск** (4712)77-13-04  
**Липецк** (4742)52-20-81  
**Киргизия** (996)312-96-26-47

**Магнитогорск** (3519)55-03-13  
**Москва** (495)268-04-70  
**Мурманск** (8152)59-64-93  
**Набережные Челны** (8552)20-53-41  
**Нижний Новгород** (831)429-08-12  
**Новокузнецк** (3843)20-46-81  
**Новосибирск** (383)227-86-73  
**Омск** (3812)21-46-40  
**Орел** (4862)44-53-42  
**Оренбург** (3532)37-68-04  
**Пенза** (8412)22-31-16  
**Казахстан** (772)734-952-31

**Пермь** (342)205-81-47  
**Ростов-на-Дону** (863)308-18-15  
**Рязань** (4912)46-61-64  
**Самара** (846)206-03-16  
**Санкт-Петербург** (812)309-46-40  
**Саратов** (845)249-38-78  
**Севастополь** (8692)22-31-93  
**Симферополь** (3652)67-13-56  
**Смоленск** (4812)29-41-54  
**Сочи** (862)225-72-31  
**Ставрополь** (8652)20-65-13  
**Таджикистан** (992)427-82-92-69

**Сургут** (3462)77-98-35  
**Тверь** (4822)63-31-35  
**Томск** (3822)98-41-53  
**Тула** (4872)74-02-29  
**Тюмень** (3452)66-21-18  
**Ульяновск** (8422)24-23-59  
**Уфа** (347)229-48-12  
**Хабаровск** (4212)92-98-04  
**Челябинск** (351)202-03-61  
**Череповец** (8202)49-02-64  
**Ярославль** (4852)69-52-93

**Единый адрес для всех регионов: [dmh@nt-rt.ru](mailto:dmh@nt-rt.ru) || [www.deltaohm.nt-rt.ru](http://www.deltaohm.nt-rt.ru)**

# Humidity - Temperature - Dew Point Transmitters & Hygrostats

## HVAC40 series

### ○ SIMPLE IS BEST

Blind transmitters,  
optionally supplied with display

### ○ COMPLETE RANGE, THE PERFECT FIT FOR HVAC

Models with **fixed vertical** probe, **duct horizontal** probe or probe **with cable**

### ○ THE RELIABLE SOLUTION: INSTALL AND FORGET

Factory calibrated and ready for use

### ○ PERFORMS IN ANY ENVIRONMENT

Stainless steel filter to protect the sensor  
against dust and particles

### ○ FLEXIBLE RELAY SETTINGS

Settable threshold - hysteresis and delay  
Front alarm LED and audible alarm

## HVAC40 series: the result of 40 years of knowledge combined with best practice

HVAC transmitters need to be stable, need to be low maintenance and need to last forever.

Over 40 years of experience in worldwide applications combined with a new design on accuracy, stability, simplicity and connectivity: this is the **HVAC40 series**.

Simple to use, easy to install. Made to measure for years and years without any deviation: stable and fit for the purpose.

To be connected to any building automation system: with a choice on analog outputs or with the highly stable RS485 Modbus connection.

Also available as Hygrostat with direct relay control.

Standard version supplied as a blind transmitter, but in cases where it is necessary an optional display is available for all versions.

Simple to install, simple to use. Fit for the application: best quality at best cost!



## MAIN APPLICATIONS

HVAC  
Building Automation  
Cleanrooms  
Agriculture  
Humidifiers

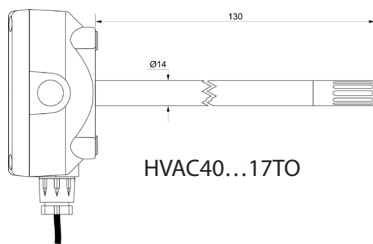
## TECHNICAL SPECIFICATIONS

<b>Sensor</b>	Interchangeable digital relative humidity and temperature sensor
<b>Measuring range</b>	0...100 % RH / recommended 5...80 % RH -20...+80 °C / -20...+80 °C Td
<b>Resolution</b>	0.1 %RH / 0.1 °C / 0.1 °C Td
<b>Accuracy</b>	Typ. ± 2.5 %RH (5...80 %RH) @ t = 15...35 °C Typ. ± 0.3 °C @ t = -20...70 °C / ± 0.5 °C @ t = remaining range
<b>Long term drift</b>	Typ. < 0.25 %RH/year Max. 0.03 °C/year
<b>Response Time</b>	10 s (63 % of final value with 1 m/s air flow)
<b>Output (depending on the model)</b>	<ul style="list-style-type: none"> <li>Active analog 0...20 or 4...20 mA or 0...10 Vdc</li> <li>2-wire (current loop) 4...20 mA</li> <li>Digital RS485 Modbus-RTU</li> <li>SPDT Relay switch - 3 A/250 Vac - 3 A/30 Vdc resistive load</li> </ul> <p>- RH: analog outputs are corresponding to a full scale of 0 to 100 % - Temperature: analog outputs are user configurable, standard version -20...+80 °C.</p>
<b>Alarm</b>	Front red LED - measurement detected outside the measuring range (except relay versions)  <b>For relay versions</b> - front red LED + internal buzzer for exceeding of the set measurement threshold

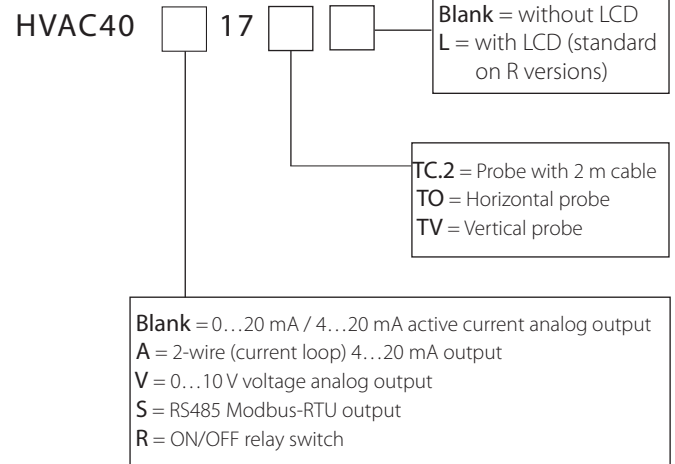
<b>Power Supply</b>	<ul style="list-style-type: none"> <li>Active analog out.: 24 Vac ± 10% or 18...40 Vdc</li> <li>Current loop: 15...30 Vdc</li> <li>Modbus-RTU: 12...30 Vdc</li> <li>Relay: 24 Vac ± 10% or 15...36 Vdc</li> </ul>
<b>Power Consumption</b>	<ul style="list-style-type: none"> <li>Active current: 20 mA @ 24 Vdc and <math>I_{out} = 12</math> mA</li> <li>Voltage: 4 mA @ 24 Vdc</li> <li>Modbus-RTU: 2 mA @ 24 Vdc</li> <li>Relay: &lt; 1 W @ 24 Vdc</li> </ul>
<b>Electrical connections</b>	Screw terminal block, max 1.5 mm <sup>2</sup> , PG9 cable gland
<b>Connection to PC</b>	RS232 serial port - it can be connected to a USB port by using cable CP27 (except Modbus versions) <b>Modbus versions:</b> RS485 serial port - it can be connected to a USB port by using RS48 adapter
<b>Sensor operating conditions</b>	-20...+80 °C * The sensor is protected from water and dust
<b>Instrument operating conditions</b>	-20...+60 °C / 0...95 %RH
<b>Storage temperature</b>	-20...+80 °C
<b>Dimensions</b>	80 x 84 x 44 mm (housing)
<b>Protection degree</b>	IP65

\*best performance between 20...80 % RH humidity range. Long term exposure outside this range, especially at high humidity, may temporarily offset the sensor response

## AVAILABLE VERSIONS



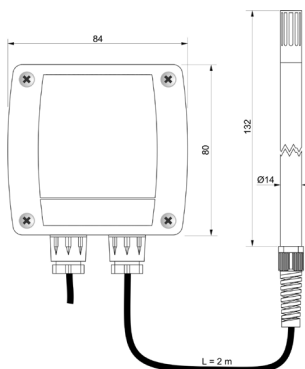
## ORDERING CODES



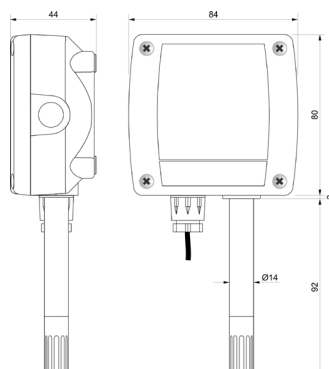
### Accessories

CP27	USB connection cable
RS48	Cable with built-in USB/RS485 converter.
HD33	33%RH saturated solution
HD75	75%RH saturated solution
HD9008.31	Wall flange with cable gland to fix Ø 14 mm probes.
PG16	AISI304 cable gland for Ø 14 mm probes.
RS27	RS232 null-modem serial connection cable

HVAC40...17TC.2



HVAC40...17TV



<b>Архангельск</b> (8182)63-90-72	<b>Ижевск</b> (3412)26-03-58	<b>Магнитогорск</b> (3519)55-03-13	<b>Пермь</b> (342)205-81-47	<b>Сургут</b> (3462)77-98-35
<b>Астана</b> (7172)727-132	<b>Иркутск</b> (395)279-98-46	<b>Москва</b> (495)268-04-70	<b>Ростов-на-Дону</b> (863)308-18-15	<b>Тверь</b> (4822)63-31-35
<b>Астрахань</b> (8512)99-46-04	<b>Казань</b> (843)206-01-48	<b>Мурманск</b> (8152)59-64-93	<b>Рязань</b> (4912)46-61-64	<b>Томск</b> (3822)98-41-53
<b>Барнаул</b> (3852)73-04-60	<b>Калининград</b> (4012)72-03-81	<b>Набережные Челны</b> (8552)20-53-41	<b>Самара</b> (846)206-03-16	<b>Тула</b> (4872)74-02-29
<b>Белгород</b> (4722)40-23-64	<b>Калуга</b> (4842)92-23-67	<b>Нижний Новгород</b> (831)429-08-12	<b>Санкт-Петербург</b> (812)309-46-40	<b>Тюмень</b> (3452)66-21-18
<b>Брянск</b> (4832)59-03-52	<b>Кемерово</b> (3842)65-04-62	<b>Новокузнецк</b> (3843)20-46-81	<b>Саратов</b> (845)249-38-78	<b>Ульяновск</b> (8422)24-23-59
<b>Владивосток</b> (423)249-28-31	<b>Киров</b> (8332)68-02-04	<b>Новосибирск</b> (383)227-86-73	<b>Севастополь</b> (8692)22-31-93	<b>Уфа</b> (347)229-48-12
<b>Волгоград</b> (844)278-03-48	<b>Краснодар</b> (861)203-40-90	<b>Омск</b> (3812)21-46-40	<b>Симферополь</b> (3652)67-13-56	<b>Хабаровск</b> (4212)92-98-04
<b>Вологда</b> (8172)26-41-59	<b>Красноярск</b> (391)204-63-61	<b>Орел</b> (4862)44-53-42	<b>Смоленск</b> (4812)29-41-54	<b>Челябинск</b> (351)202-03-61
<b>Воронеж</b> (473)204-51-73	<b>Курск</b> (4712)77-13-04	<b>Оренбург</b> (3532)37-68-04	<b>Сочи</b> (862)225-72-31	<b>Череповец</b> (8202)49-02-64
<b>Екатеринбург</b> (343)384-55-89	<b>Липецк</b> (4742)52-20-81	<b>Пенза</b> (8412)22-31-16	<b>Ставрополь</b> (8652)20-65-13	<b>Ярославль</b> (4852)69-52-93
<b>Иваново</b> (4932)77-34-06	<b>Киргизия</b> (996)312-96-26-47	<b>Казахстан</b> (772)734-952-31	<b>Таджикистан</b> (992)427-82-92-69	

**Единый адрес для всех регионов: [dmh@nt-rt.ru](mailto:dmh@nt-rt.ru) || [www.deltaohm.nt-rt.ru](http://www.deltaohm.nt-rt.ru)**