

Анемометры высокочувствительные для очень низких скоростей ветра DELTA OHM HD53LS

Технические характеристики

Архангельск (8182)63-90-72
Астана (7172)727-132
Астрахань (8512)99-46-04
Барнаул (3852)73-04-60
Белгород (4722)40-23-64
Брянск (4832)59-03-52
Владивосток (423)249-28-31
Волгоград (844)278-03-48
Вологда (8172)26-41-59
Воронеж (473)204-51-73
Екатеринбург (343)384-55-89
Иваново (4932)77-34-06

Ижевск (3412)26-03-58
Иркутск (395)279-98-46
Казань (843)206-01-48
Калининград (4012)72-03-81
Калуга (4842)92-23-67
Кемерово (3842)65-04-62
Киров (8332)68-02-04
Краснодар (861)203-40-90
Красноярск (391)204-63-61
Курск (4712)77-13-04
Липецк (4742)52-20-81
Киргизия (996)312-96-26-47

Магнитогорск (3519)55-03-13
Москва (495)268-04-70
Мурманск (8152)59-64-93
Набережные Челны (8552)20-53-41
Нижний Новгород (831)429-08-12
Новокузнецк (3843)20-46-81
Новосибирск (383)227-86-73
Омск (3812)21-46-40
Орел (4862)44-53-42
Оренбург (3532)37-68-04
Пенза (8412)22-31-16
Казахстан (772)734-952-31

Пермь (342)205-81-47
Ростов-на-Дону (863)308-18-15
Рязань (4912)46-61-64
Самара (846)206-03-16
Санкт-Петербург (812)309-46-40
Саратов (845)249-38-78
Севастополь (8692)22-31-93
Симферополь (3652)67-13-56
Смоленск (4812)29-41-54
Сочи (862)225-72-31
Ставрополь (8652)20-65-13
Таджикистан (992)427-82-92-69

Сургут (3462)77-98-35
Тверь (4822)63-31-35
Томск (3822)98-41-53
Тула (4872)74-02-29
Тюмень (3452)66-21-18
Ульяновск (8422)24-23-59
Уфа (347)229-48-12
Хабаровск (4212)92-98-04
Челябинск (351)202-03-61
Череповец (8202)49-02-64
Ярославль (4852)69-52-93

Единый адрес для всех регионов: dmh@nt-rt.ru || www.deltaohm.nt-rt.ru

HD53LS...

2-AXIS ULTRASONIC ANEMOMETER



2-axis ultrasonic static anemometer for measuring:

- Wind speed and direction, U-V Cartesian components of wind speed.
- Wind Gust (only in version with RS485 MODBUS-RTU output).

The average of wind speed and direction over a period configurable up to 10 minutes is calculated.

Two versions are available:

- **HD53LS.A:** with two analog outputs (one for wind speed and one for wind direction), factory configurable among 4...20 mA (standard), 0...1 V, 0...5 V, 0...10 V (**to be specified when ordering**).
- **HD53LS.S:** with RS485 MODBUS-RTU output.

Equipped with magnetic compass.

Installation on a \varnothing 40 mm mast.

Supplied with PC software for configuring the instrument and viewing the real time measurements.

Optionally available, ILAC-MRA (ACCREDIA) traceable factory calibration.

ADVANTAGES

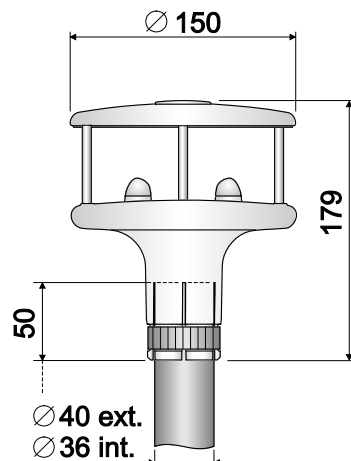
- The absence of moving parts minimizes maintenance.
- High sensitivity for detecting very low speeds, which are not detectable by traditional methods.
- Fast and easy installation (on \varnothing 40 mm mast, optional tripod available).
- The low power of the instrument allows installation in remote sites, with power from solar panel and battery.
- The version with RS485 MODBUS-RTU output allows instrument networking.

TYPICAL APPLICATIONS

- Weather stations
- Environmental monitoring
- Agriculture
- Sports facility
- Marine and Harbour applications
- Airports
- HVAC
- Construction
- Renewable energy
- Building automation

TECHNICAL SPECIFICATIONS

Wind speed	
Sensor type	Ultrasonic
Measuring Range	0...50 m/s
Resolution	0.1 m/s
Accuracy	± 0.2 m/s or ± 2%, the greatest (0...35 m/s) / ± 3% (> 35 m/s)
Wind direction	
Sensor type	Ultrasonic
Measuring Range	0...359°
Resolution	1°
Accuracy	± 2° RMSE from 1.0 m/s
Compass	
Sensor	Magnetic
Measuring range	0...360°
Resolution	0.1°
Accuracy	± 1°
General features	
Power supply	10...30 Vdc (15...30 Vdc for version with 0÷10 V analog output)
Power Consumption	26mA @ 12Vdc
Analog output	2 analog outputs: one for wind speed and one for wind direction (only in HD53LS.A). Analog output type is 4...20 mA as standard; 0...1 V, 0...5 V or 0...10 V available on request . Analog output refresh rate 1 Hz.
Digital output	RS485 MODBUS-RTU (only in HD53LS.S)
Averaging interval	Configurable from 1 s to 10 min
Electrical connection	M23 connector
Operating temperature	-20...+55 °C
Survival speed	90 m/s
Dimensions	H=179mm, Ø=150mm
Weight	640 g approx.
Housing	ASA with metallic parts in AISI 316
Protection degree	IP66



ORDERING CODES

- HD53LS.A** 2-axis ultrasonic static anemometer. Equipped with compass. Analog output factory configurable among 4...20 mA (standard), 0...1 V, 0...5 V, 0...10 V (**to be specified when ordering**). Power supply: 10...30 Vdc (15...30 Vdc for 0...10 V analog output). Installation on a mast: external \varnothing 40 mm, internal \varnothing 36 mm. Input with M23 connector. It includes HD52.3DS software downloadable from Delta OHM website. Supplied with M23 movable connector. **On request CP52... cable.**
- HD53LS.S** 2-axis ultrasonic static anemometer. Equipped with compass. Digital RS485 MODBUS-RTU output. Power supply: 10...30 Vdc. Installation on a mast: external \varnothing 40 mm, internal \varnothing 36 mm. Input with M23 connector. It includes HD52.3DS software downloadable from Delta OHM website. Supplied with M23 movable connector. **On request CP52... cable.**

ACCESSORIES

- RS52** Serial connection cable with built-in USB/RS232 converter. USB connector for the PC and screw terminals on the instrument side.
- CP52.5** Cable with 19-pole M23 connector on one end, open wires on the other end. Length 5 m.
- CP52.10** Cable with 19-pole M23 connector on one end, open wires on the other end. Length 10 m.
- CP52.15** Cable with 19-pole M23 connector on one end, open wires on the other end. Length 15 m.
- CP52.20** Cable with 19-pole M23 connector on one end, open wires on the other end. Length 20 m.
- CP52.30** Cable with 19-pole M23 connector on one end, open wires on the other end. Length 30 m.
- CP52.50** Cable with 19-pole M23 connector on one end, open wires on the other end. Length 50 m.
- CP52.75** Cable with 19-pole M23 connector on one end, open wires on the other end. Length 75 m.
- HD52.30K** Birds spikes.
- HD2005.20** Tripod with adjustable legs for installing environmental sensors. Material: anodized aluminum. Max. height 225 cm. It can be fixed on a flat base with screws or to the ground with pegs. Foldable legs for the transport.
- HD2005.20.1** Tripod with adjustable legs for installing environmental sensors. Material: anodized aluminum. Max. height 335 cm. It can be fixed on a flat base with screws or to the ground with pegs. Foldable legs for the transport.

Архангельск (8182)63-90-72
Астана (7172)727-132
Астрахань (8512)99-46-04
Барнаул (3852)73-04-60
Белгород (4722)40-23-64
Брянск (4832)59-03-52
Владивосток (423)249-28-31
Волгоград (844)278-03-48
Вологда (8172)26-41-59
Воронеж (473)204-51-73
Екатеринбург (343)384-55-89
Иваново (4932)77-34-06

Ижевск (3412)26-03-58
Иркутск (395)279-98-46
Казань (843)206-01-48
Калининград (4012)72-03-81
Калуга (4842)92-23-67
Кемерово (3842)65-04-62
Киров (8332)68-02-04
Краснодар (861)203-40-90
Красноярск (391)204-63-61
Курск (4712)77-13-04
Липецк (4742)52-20-81
Киргизия (996)312-96-26-47

Магнитогорск (3519)55-03-13
Москва (495)268-04-70
Мурманск (8152)59-64-93
Набережные Челны (8552)20-53-41
Нижний Новгород (831)429-08-12
Новокузнецк (3843)20-46-81
Новосибирск (383)227-86-73
Омск (3812)21-46-40
Орел (4862)44-53-42
Оренбург (3532)37-68-04
Пенза (8412)22-31-16
Казахстан (772)734-952-31

Пермь (342)205-81-47
Ростов-на-Дону (863)308-18-15
Рязань (4912)46-61-64
Самара (846)206-03-16
Санкт-Петербург (812)309-46-40
Саратов (845)249-38-78
Севастополь (8692)22-31-93
Симферополь (3652)67-13-56
Смоленск (4812)29-41-54
Сочи (862)225-72-31
Ставрополь (8652)20-65-13
Таджикистан (992)427-82-92-69

Сургут (3462)77-98-35
Тверь (4822)63-31-35
Томск (3822)98-41-53
Тула (4872)74-02-29
Тюмень (3452)66-21-18
Ульяновск (8422)24-23-59
Уфа (347)229-48-12
Хабаровск (4212)92-98-04
Челябинск (351)202-03-61
Череповец (8202)49-02-64
Ярославль (4852)69-52-93