

# Термогигрометры цифровые DELTA ОНМ HD2301.0

## Технические характеристики

**Архангельск** (8182)63-90-72  
**Астана** (7172)727-132  
**Астрахань** (8512)99-46-04  
**Барнаул** (3852)73-04-60  
**Белгород** (4722)40-23-64  
**Брянск** (4832)59-03-52  
**Владивосток** (423)249-28-31  
**Волгоград** (844)278-03-48  
**Вологда** (8172)26-41-59  
**Воронеж** (473)204-51-73  
**Екатеринбург** (343)384-55-89  
**Иваново** (4932)77-34-06

**Ижевск** (3412)26-03-58  
**Иркутск** (395)279-98-46  
**Казань** (843)206-01-48  
**Калининград** (4012)72-03-81  
**Калуга** (4842)92-23-67  
**Кемерово** (3842)65-04-62  
**Киров** (8332)68-02-04  
**Краснодар** (861)203-40-90  
**Красноярск** (391)204-63-61  
**Курск** (4712)77-13-04  
**Липецк** (4742)52-20-81  
**Киргизия** (996)312-96-26-47

**Магнитогорск** (3519)55-03-13  
**Москва** (495)268-04-70  
**Мурманск** (8152)59-64-93  
**Набережные Челны** (8552)20-53-41  
**Нижний Новгород** (831)429-08-12  
**Новокузнецк** (3843)20-46-81  
**Новосибирск** (383)227-86-73  
**Омск** (3812)21-46-40  
**Орел** (4862)44-53-42  
**Оренбург** (3532)37-68-04  
**Пенза** (8412)22-31-16  
**Казахстан** (772)734-952-31

**Пермь** (342)205-81-47  
**Ростов-на-Дону** (863)308-18-15  
**Рязань** (4912)46-61-64  
**Самара** (846)206-03-16  
**Санкт-Петербург** (812)309-46-40  
**Саратов** (845)249-38-78  
**Севастополь** (8692)22-31-93  
**Симферополь** (3652)67-13-56  
**Смоленск** (4812)29-41-54  
**Сочи** (862)225-72-31  
**Ставрополь** (8652)20-65-13  
**Таджикистан** (992)427-82-92-69

**Сургут** (3462)77-98-35  
**Тверь** (4822)63-31-35  
**Томск** (3822)98-41-53  
**Тула** (4872)74-02-29  
**Тюмень** (3452)66-21-18  
**Ульяновск** (8422)24-23-59  
**Уфа** (347)229-48-12  
**Хабаровск** (4212)92-98-04  
**Челябинск** (351)202-03-61  
**Череповец** (8202)49-02-64  
**Ярославль** (4852)69-52-93

**Единый адрес для всех регионов: [dmh@nt-rt.ru](mailto:dmh@nt-rt.ru) || [www.deltaohm.nt-rt.ru](http://www.deltaohm.nt-rt.ru)**

## HD2301.0



### HD2301.0 HYGRO- THERMOMETER HANDHELD - READ ONLY

HD2301.0 is a portable instrument with LCD display. It measures relative humidity and temperature using combined probes. Temperature only is measured by Pt100 or Pt1000 immersion, penetration, air or contact probes. When the humidity/temperature combined probe is connected, the instrument calculates and displays the absolute humidity, the dew point, the partial vapour pressure. The probes are fitted with an automatic detection module, with the factory calibration data already stored inside.

The Max, Min and Avg function calculate the maximum, minimum or average values.

Other functions include: the relative measurement REL, the HOLD function, and the automatic turning off (excludable)

The instruments have IP67 protection degree.



Technical specifications	
<b>Measurement of relative humidity</b>	
Measurement range	0...100%RH
Resolution	0.1%RH
Accuracy	±0.1%RH
Drift after 1 year	0.1%RH/year
<b>Measurement of temperature</b>	
Pt100 measurement range	-200...+650 °C
Pt1000 measurement range	-200...+650 °C
Resolution	0.1°C
Accuracy	±0.1°C
Drift after 1 year	0.1°C/year
Measuring unit	°C - °F - %RH - g/m <sup>3</sup> - hPa
<b>Power</b>	
Batteries	3 1.5V type AA batteries
Autonomy	200 hours with 1800 mAh alkaline batteries
Power absorbed with instrument off	< 20µA
<b>Connections</b>	
Input module for the probes	8-pole male DIN45326 connector
<b>Operating conditions</b>	
Operating temperature	-5...50 °C
Storage temperature	-25...65°C
Working relative humidity	0...90%RH without condensation
<b>Protection degree</b>	IP67
<b>General characteristics</b>	
Dimensions (Length x Width x Height)	140x88x38mm
Weight	160g (complete with batteries)
Materials	ABS
Display	2 rows 4½ digits plus symbols Visible area: 52x42mm

#### ORDERING CODES

**HD2301.0:** The kit is composed of the instrument HD2301.0, 3 1.5V alkaline batteries, operating manual, case. Probes must be ordered separately.

**For all suitable probes, see from pag.9 onwards**

#### Accessories

**HD75:** Saturated solution at 75.4%RH@20 °C for calibration of relative humidity probes, fixing adapter M24x1.5, M12x1.

**HD33:** Saturated solution at 33.0%RH@20 °C for calibration of relative humidity probes, fixing adapter M24x1.5, M12x1.

**HD11:** Saturated solution at 11.0%RH@20 °C for calibration of relative humidity probes, fixing adapter M24x1.5, M12x1.

#### Protection for humidity probes Ø 26, thread M24x1,5

**P1:** Technopolymer and 34µm stainless steel grid protection. Operating temperature: -40...80 °C.

**P2:** Technopolymer and 20µm sintered PE protection Operating temperature: -40...80 °C.

**P3:** 20µm sintered bronze protection Operating temperature: -40...150 °C.

**P4:** 20µm sintered PE protection. Operating temperature: -40...80 °C.

#### Protection for humidity probes Ø 14, thread M12x1

**P6:** 10µm sintered stainless steel protection. Operating temperature: -40...180 °C.

**P7:** 20µm PTFE protection. Operating temperature: -40...150 °C.

**P8:** PBT and 10µm stainless steel grid protection. Operating temperature: -40...120 °C.

**COMBINED DEW POINT AND TEMPERATURE PROBES WITH SICRAM MDODULE**

CODE	SENSORS	RANGE RH - TEMP	DIMENSIONS
HP472ACR	RH Pt100	0...100% RH -20 °C...+80 °C	
HP473ACR			
HP474ACR		0...100% RH -40 °C...+150 °C	
HP475ACR			
HP475AC1R			
HP477DCR			
HP478ACR		0...100% RH -40 °C...+150 °C	
HP480 / HP481		Pt100	0...100%RH -40...+60 °C

**PROBES COMMON CHARACTERISTICS**

<b>Relative humidity</b>	
Sensor	Capacitive
Temperature drift @ 20 °C	Max 0.02%RH/°C
Response time %RH at constant temperature	10 sec (10÷80%RH; air speed=2m/s) at constant temperature
<b>Temperature with sensor Pt100</b>	
Temperature drift @20 °C	0.003%/°C
<b>Accuracy</b>	
%RH	±1.5% RH (0...90%RH) ±2.0% RH (90...100%) @ T=15...35°C ±(1.5 + 1.5% of the displayed value)% RH in the remaining temperature range
Temperature	± 0.3°C

**PROBES PROTECTION**

	P1	P2	P3	P4	P6	P7	P8
Operating Temperature	-40...80 °C	-40...80 °C	-40...150 °C.	-40...80 °C	-40...180 °C	-40...150 °C	-40...120 °C
Material	Technopolymer and 34µm stainless steel grid protection	Technopolymer and 20µm sintered PE protection	20µm sintered bronze protection	20µm sintered PE protection	10µm sintered stainless steel protection	20µm PTFE protection	PBT and 10µm stainless steel grid protection
View							
Technical Spec.	suitable for probes Ø 26 - thread M 24x1,5				suitable for probes Ø 14 - thread M 12x1		

## HD75, HD33, HD11



## HD75, HD33, HD11

### RH CALIBRATION - SALT SATURATED SOLUTION

For checking, setting up or calibrating instruments with relative humidity sensors

#### Before starting

- Make sure that inside the chamber containing the saturated salt solutions there are at the same time:
  - solid salt
  - liquid solution or wet salt
- The instrument and the saturated solutions to be used are to be kept in an environment at stable temperature while checking or calibrating them.
- Wait for at least a couple of hours at stable temperature so that the instrument and the salt solutions reach thermal equilibrium with the environment.
- Unscrew the cap of the first saturated salt solution to be used for checking or calibrating the instrument. Use:
  - for probes with thread M24X1,5, the bottle threaded hole M24X1,5 directly;
  - for probes with thread M12X1, the supplied adapter M24X1,5 / M12X1.
- If there is any liquid inside the measurement chamber, dry it with clean absorbent paper. The uncertainty of the solution or measurement is not influenced by any liquid left inside the measurement chamber.
- Screw the probe to the bottom of the thread; do not touch the sensitive element with your hands or any other object or liquid.
- The temperature of the salt solution and that of the sensor must be the same or very close. Once the sensor is inserted, wait for at least 30 minutes.
- Connect the probe to the instrument or transmitter. Power or turn them on as per instructions.
- After 30 minutes, start the calibration procedure for the first calibration point according to the instruction manual of the specific instrument.
- Once you have checked, set up or calibrated the first point, take the probe out of the bottle and put the cap back on the bottle. Make sure you do not mix it up with that of other saturated solutions.
- Repeat points 1, 2, 3 and 4 to perform the second calibration point with the second saturated solution.

#### Notes and warnings:

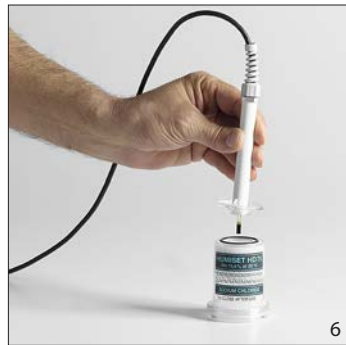
- Keep salt solutions in the dark at a temperature of about 20 °C.
- Salt solutions are effective and can be used as long as there is salt to be melted as well as liquid inside them. As a rule, in 33% RH solution make sure that there is some solid salt left, while in 75%RH solution make sure that there is some liquid left or salt is wet.
- For better results, the temperature of the probe and that of the saturated solution must be as close as possible. Do not forget that plastic materials are bad conductors of heat. Any difference of tenths of degree between the sensor and the saturated salt solution leads to errors of RH points.
- Do not touch the sensitive element with your hands or other objects. Scratches and dirt alter the instrument measurement and may damage the sensor.
- The measurement chamber must be closed, otherwise the equilibrium cannot be reached.
 

Thoroughly screw the probe to the bottle.
- The check or calibration sequence for Delta OHM instruments or transmitters is always as follows:
  - first solution: 75% RH
  - second solution: 33%RH
  - third solution: 11% RH (if any)

No sequence is compulsory for checking the sensor.
- To calibrate or set up the instrument, follow the instruction manual of the instrument that you are using.
- If you check, set up or calibrate the instrument at a temperature of other than 20 °C, see the following table to find out the equilibrium relative humidity reference value of the salt solution corresponding to the working temperature. In this table, you will find the saturated salt relative humidity variation when temperature changes.

Equilibrium relative humidity of selected saturated salt solutions from 0 to 100 °C			
Temp. °C	Lithium Chloride	Magnesium Chloride	Sodium Chloride
0	11.23 ± 0.54	33.66 ± 0.33	75.51 ± 0.34
5	11.26 ± 0.47	33.60 ± 0.28	75.65 ± 0.27
10	11.29 ± 0.41	33.47 ± 0.24	75.67 ± 0.22
15	11.30 ± 0.35	33.30 ± 0.21	75.61 ± 0.18
20	11.31 ± 0.31	33.07 ± 0.18	75.47 ± 0.14
25	11.30 ± 0.27	32.78 ± 0.16	75.29 ± 0.12
30	11.28 ± 0.24	32.44 ± 0.14	75.09 ± 0.11
35	11.25 ± 0.22	32.05 ± 0.13	74.87 ± 0.12
40	11.21 ± 0.21	31.60 ± 0.13	74.68 ± 0.13
45	11.16 ± 0.21	31.10 ± 0.13	74.52 ± 0.16
50	11.10 ± 0.22	30.54 ± 0.14	74.43 ± 0.19
55	11.03 ± 0.23	29.93 ± 0.16	74.41 ± 0.24
60	10.95 ± 0.26	29.26 ± 0.18	74.50 ± 0.30
65	10.86 ± 0.29	28.54 ± 0.21	74.71 ± 0.37
70	10.75 ± 0.33	27.77 ± 0.25	75.06 ± 0.45
75	10.64 ± 0.38	26.94 ± 0.29	75.58 ± 0.55
80	10.51 ± 0.44	26.05 ± 0.34	76.29 ± 0.65
85	10.38 ± 0.51	25.11 ± 0.39	
90	10.23 ± 0.59	24.12 ± 0.46	
95	10.07 ± 0.67	23.07 ± 0.52	
100	9.90 ± 0.77	21.97 ± 0.60	





## HP480, HP481



### HP480, HP481 - PROBES FOR TEMPERATURE, RELATIVE HUMIDITY AND DEW POINT MEASUREMENT IN PIPES.

Compressed air is used for several purposes, many of which require compressed air with a low humidity level, and so comes the need to know the dew point (DP) of water vapour in the compressed air that circulates in the system. The **HP480** and **HP481** probes are designed specifically for this purpose.

The use of dew point measurement in order to limit moisture in compressed air distribution systems has many advantages:

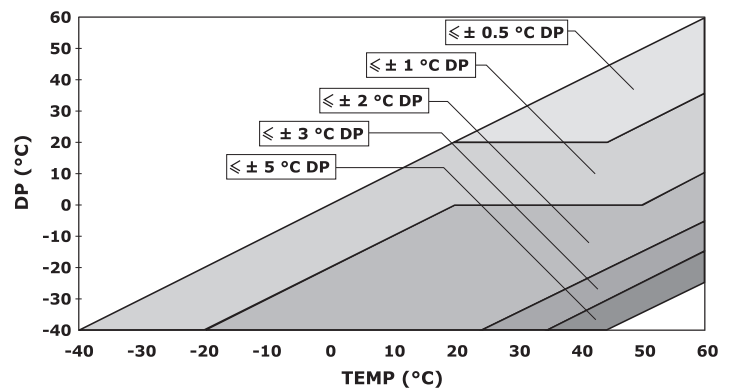
- prevents corrosion of metal pipes;
- in cold areas, prevents the formation of ice inside the pipes leading to obstruction of the pipes themselves;
- prevents bacterial growth in plants for medical use
- reduces maintenance costs of pneumatic drives, maintaining the proper lubrication of moving parts;
- improves the quality of products coming into contact with air, for example in the drying process of granulates.

#### Typical installation HP480

The probe can be installed in any position. The connection to the compressed air can be achieved with a threaded connection or with a quick connection.

The connection allows for quick installation and removal of the probe without stopping the system. There are 3 different couplings supplied: 1/4" Italian, German and American standard.

The probe is equipped with a filter made of sintered steel, stainless steel measuring chamber and control valve of the air flow. Suitable for measurement of compressed air with dew point up to class 3 according to standard ISO8573-1.



Graph 1: accuracy of the dew point measurement (DP)

#### Typical installation HP481

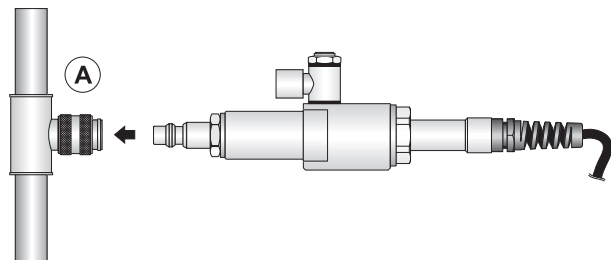
**HP481** is a combined relative humidity and temperature probe suitable for in-line installation. The probe can be used in pressurized pipes, or in which vacuum is required. It is equipped with a G 1/2" threading for the connection to the system and can be installed in any position. The probe is equipped with a sintered steel filter.

#### Connections

The probes can be connected to the pipe in three ways:

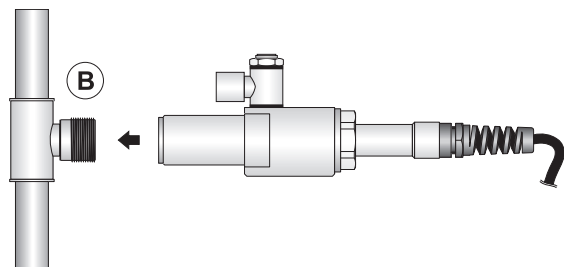
- by using the measuring chamber with a quick coupling (only HP480);
- by using the measuring chamber with a threaded G 1/4" connection (only HP480);
- directly (without measuring chamber) with a threaded G 1/2" connection.

#### Connection with measuring chamber and quick coupling:



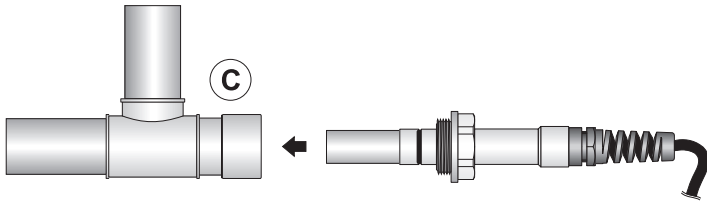
To connect with quick coupling, you can use one of the standard 1/4" couplings provided. Other couplings than those supplied can be used, provided that they have a G 1/4" thread on the side that fits into the probe.

#### Connection with measuring chamber and threaded connection:



For the connection by threaded coupling, the connection must have an external G 1/4" thread on the side which will be placed in the probe. The connection must be airtight. When installing or removing the probe, it is necessary to depressurize the system.

Direct connection (without measuring chamber) only for HP481 and threaded connection:



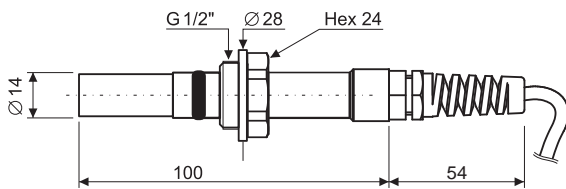
For direct connection of the probe, use a fitting with internal G 1/2" thread on the side which will be placed in the probe. The connection must be airtight. When installing or removing the model HP480, it is necessary to depressurize the system. Ensure that the probe does not obstruct the normal flow of air through the distribution line.

In all modes of installation, it is recommended that you place in the plant, upstream of the sensor, a safety valve to be closed manually in case of maintenance of the probe.

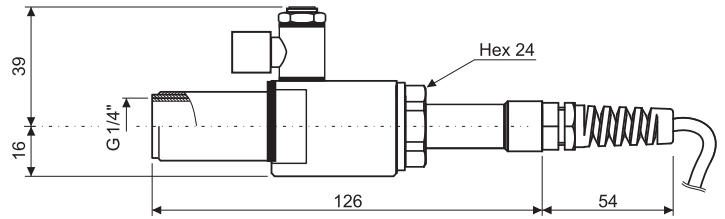
Periodically check the cleanliness of the sintered filter of the probe, in order to maintain optimum response characteristics of the probe. The filter can be washed with a detergent that leaves no traces.

## DIMENSIONS

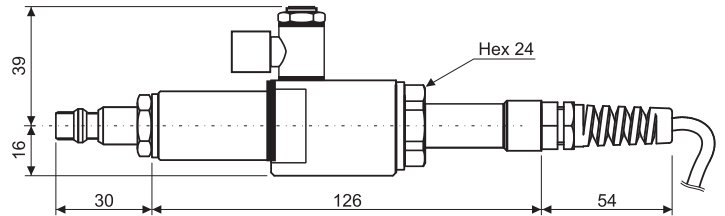
Dimensions (mm) of the probe without measuring chamber:



Dimensions (mm) of the probe with measuring chamber, without quick coupling (only HP480):



Dimensions (mm) of the probe with measuring chamber and quick coupling (only HP480):



## ORDERING CODES

**HP480:** Interchangeable temperature and relative humidity probe, complete with SICRAM module. Connection cable 2m. Equipped with 15µ sintered AISI 316 stainless steel filter, measuring chamber, air flow regulation valve, and three 1/4" quick couplings (standard Italian, German, and American).

**HP481:** Interchangeable temperature and relative humidity combined probe, complete with SICRAM module. Connection cable 2 m. Equipped with 15µ sintered AISI 316 stainless steel filter, G 1/2" threading.

Technical specifications	HP480	HP481
<b>Relative humidity</b>		
Sensor		capacitive
Measuring range		0...100%RH
Accuracy (@ T = 15...35 °C)	± 1,5%RH (0..90%RH), ± 2%RH (remaining field)	
Accuracy (@ T = -40...+60 °C)	± (1,5 + 1,5% of the measured value)%RH	
Long term stability	< 1%RH/year	
<b>Temperature</b>		
Sensor		Pt100
Measuring range		-40...+60 °C
Accuracy		± 0,25 °C
<b>Dew point</b>		
Sensor	Parameter calculated from the measurement of temperature and relative humidity	
Measuring range	-40...+60 °C DP	
Accuracy (@ T = 20 °C)	± 2 °C DP (-40...0 °C DP) ± 1 °C DP (0...+20 °C DP)	
Accuracy (@ T = -40...+60 °C)	see graph 1	
<b>General features</b>		
Connection	G 1/2" or G 1/4" or quick coupling	G 1/2"
Regulation of the air flow	From 0,2 to 3 l/min	
Cable length	2m	2m (other lengths on request)
Filter	Sintered 15µ AISI 316 steel	
Material of the measuring chamber	AISI 304 stainless steel	
Operating temperature of the probe	-40...+80 °C	
Operating pressure of the probe	0...16 bar	-1...16 bar
Protection degree	IP65	
Compatibility with ethylene oxide (C2H4O)	The maximum allowed concentration in continuous operation which causes a deviation within 2% is 3 ppm	

## TEMPERATURE PROBES – RESISTANCE THERMOMETERS

Delta OHM offers a wide choice of Platinum resistance thermometers with resistance equal to 100 Ω at 0 °C and temperature coefficient α as defined by the IEC 60751 standard: Pt100, R<sub>0</sub>=100 Ω, α= 3.851·10<sup>-3</sup> °C<sup>-1</sup>.

For particular applications, probes with Pt1000 sensor or with a thermistor sensor are available. The response time τ<sub>0.63</sub> indicated for each probe is the response time of the sensor to a temperature variation, with a variation of the measured signal corresponding to the 63% of the total variation. The response times are referred:

- in water at 100 °C for immersion probes;
- to the contact with a metal surface at 200 °C for surface probes;
- to an air temperature of 100 °C for air probes.

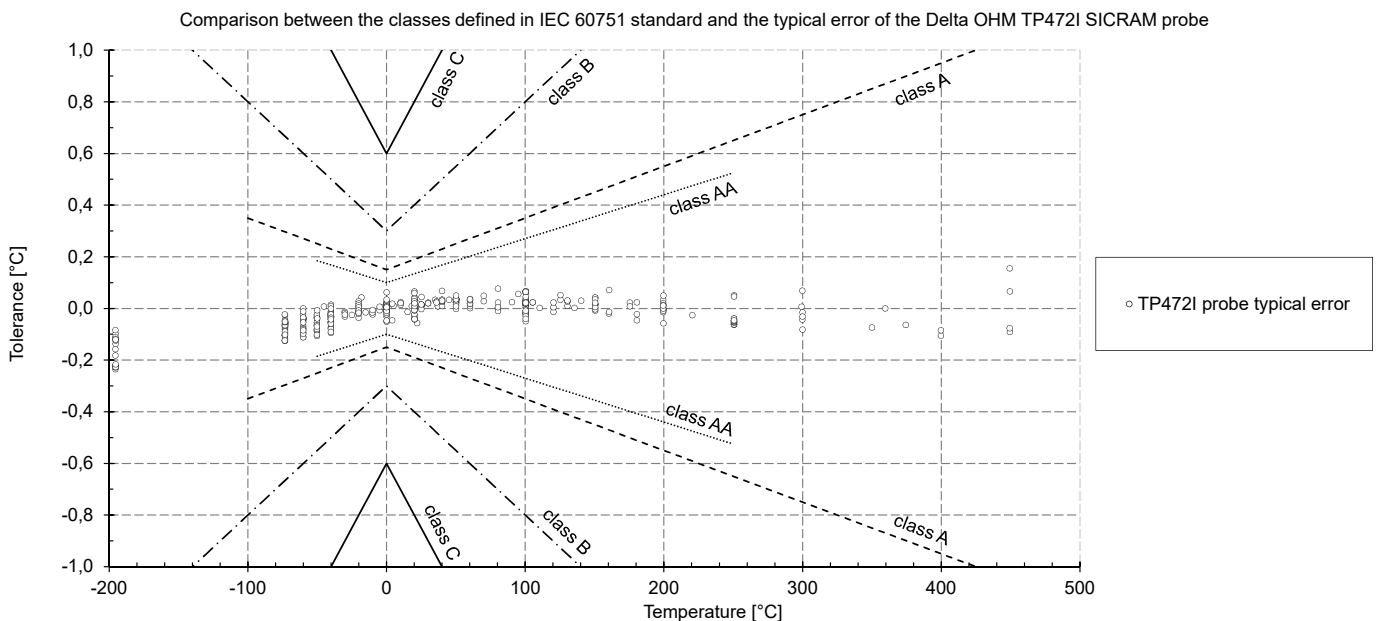
The IEC 60751:2008 standard defines the tolerance classes of the resistance thermometers as summarized in the following table:

Tolerance class	Temperature Range		Tolerance [°C]
	WIRE WOUND sensor	THIN FILM sensor	
classe AA (1/3 DIN)	from -50 °C to 250 °C	from 0 °C to 150 °C	±(0.1+0.0017· t )
classe A	from -100 °C to 450 °C	from -30 °C to 300 °C	±(0.15+0.002· t )
classe B	from -196 °C to 600 °C	from -50 °C to 500 °C	±(0.3+0.005· t )
classe C	from -196 °C to 600 °C	from -50 °C to 600 °C	±(0.6+0.01· t )

On request, the probes can be assembled with a compatible connector chosen from TP471 and TP47.

The TP471 connector developed by Delta OHM contains an electronic module (SICRAM) that allows the probe error to be adjusted. During the Quality Control, the probes provided with this module are individually checked in our laboratories, linearizing the characteristic and allowing more stringent accuracy over the entire working range.

The following graph shows the Delta OHM SICRAM module probe TP472I typical error values obtained from the calibrations performed in our ISO17025 calibration laboratory. The graph highlights the effectiveness of the linearization performed on the probes.





Tolerance as a function of temperature. The temperature range refers to the platinum wire wound probes.

Tolerance [°C]	Temperature [°C]										
	-196	-100	-50	0	100	250	300	350	450	500	600
class AA	---	± 0.27	± 0.19	± 0.10	± 0.27	± 0.53	± 0.61	± 0.70	---	---	---
class A	---	± 0.35	± 0.25	± 0.15	± 0.35	± 0.65	± 0.75	± 0.85	± 1.05	---	---
class B	± 1.28	± 0.80	± 0.55	± 0.30	± 0.80	± 1.55	± 1.80	± 2.05	± 2.55	± 2.80	± 3.30
class C	± 2.56	± 1.60	± 1.10	± 0.60	± 1.60	± 3.10	± 3.60	± 4.10	± 5.10	± 5.60	± 6.60
accuracy TP472I	± 0.30	± 0.30	± 0.20	± 0.10	± 0.20	± 0.20	± 0.30	± 0.30	± 0.30	± 0.30	---

By means of the calibration, the purchased instrument can be metrologically characterized, determining the systematic error of the thermometer and ensuring at the same time the traceability to international standards. Delta OHM Laboratories are able to provide this service by issuing calibration reports according to ISO 9001 or ACCREDIA LAT certificates in compliance with ISO/IEC 17025 standard, recognized internationally through ILAC MRA agreements.


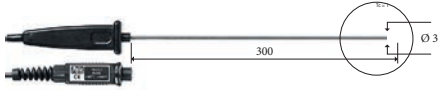
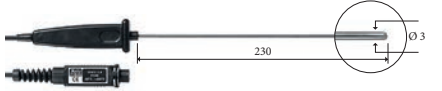
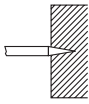

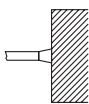



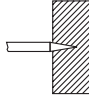



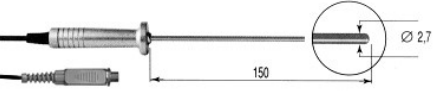
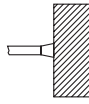
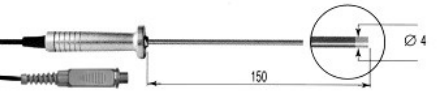
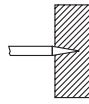
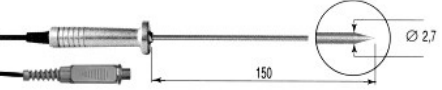

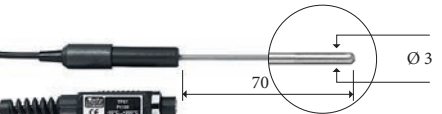


LAT N° 124

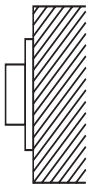
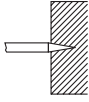
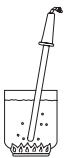
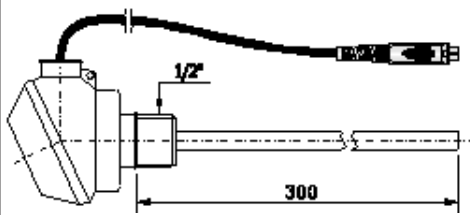
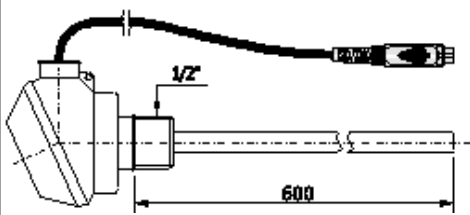


Temperature - Humidity - Pressure - Air speed  
Photometry/Radiometry - Acoustics



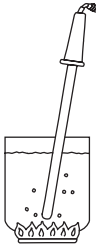
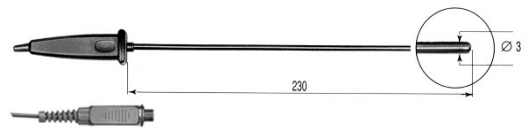
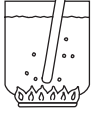
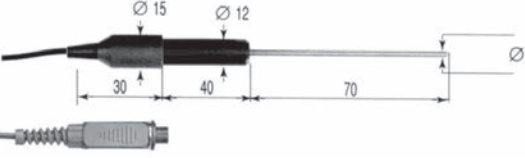
Pt100 PROBES WITH TP471 SICRAM MODULE

CODE	T (°C)	ACCURACY	USE	$\tau_{0.63}$	DIMENSIONS
TP472I	-196 +500	$\pm 0.1$ °C (@ 0 °C) $\pm 0.2$ °C (-50 °C $\leq$ t $\leq$ 250 °C) $\pm 0.3$ °C (t < -50 °C; t > 250 °C)		3s	
TP472I.O	-50 +300	$\pm 0.1$ °C (@ 0 °C) $\pm 0.2$ °C (-50 °C $\leq$ t $\leq$ 250 °C) $\pm 0.3$ °C (t < -50 °C; t > 250 °C)		3s	
TP473P.I	-50 +400	$\pm 0.1$ °C (@ 0 °C) $\pm 0.2$ °C (-50 °C $\leq$ t $\leq$ 250 °C) $\pm 0.3$ °C (t < -50 °C; t > 250 °C)		5s	
TP473P.O	-50 +300	$\pm 0.1$ °C (@ 0 °C) $\pm 0.2$ °C (-50 °C $\leq$ t $\leq$ 250 °C) $\pm 0.3$ °C (t < -50 °C; t > 250 °C)			
TP474C.O	-50 +300	$\pm 0.1$ °C (@ 0 °C) $\pm 0.2$ °C (-50 °C $\leq$ t $\leq$ 250 °C) $\pm 0.3$ °C (t < -50 °C; t > 250 °C)		5s	
TP475A.O	-50 +250	$\pm 0.1$ °C (@ 0 °C) $\pm 0.2$ °C (-50 °C $\leq$ t $\leq$ 250 °C)		12s	
TP472I.5	-50 +400	$\pm 0.1$ °C (@ 0 °C) $\pm 0.2$ °C (-50 °C $\leq$ t $\leq$ 250 °C) $\pm 0.3$ °C (t < -50 °C; t > 250 °C)		3s	
TP472I.10	-50 +400	$\pm 0.1$ °C (@ 0 °C) $\pm 0.2$ °C (-50 °C $\leq$ t $\leq$ 250 °C) $\pm 0.3$ °C (t < -50 °C; t > 250 °C)		3s	
TP49A.I	-70 +250	$\pm 0.1$ °C (@ 0 °C) $\pm 0.2$ °C (-50 °C $\leq$ t $\leq$ 250 °C) $\pm 0.3$ °C (t < -50 °C; t > 250 °C)		3,5s	
TP49AC.I	-70 +250	$\pm 0.1$ °C (@ 0 °C) $\pm 0.2$ °C (-50 °C $\leq$ t $\leq$ 250 °C) $\pm 0.3$ °C (t < -50 °C; t > 250 °C)		5,5s	
TP49AP.I	-70 +250	$\pm 0.1$ °C (@ 0 °C) $\pm 0.2$ °C (-50 °C $\leq$ t $\leq$ 250 °C)		4s	
TP87.O	-50 +200	$\pm 0.1$ °C (@ 0 °C) $\pm 0.2$ °C (-50 °C $\leq$ t $\leq$ 250 °C)		3s	


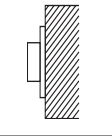

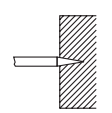
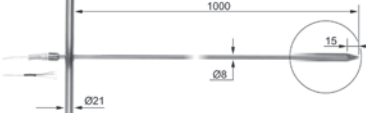
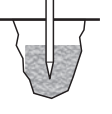
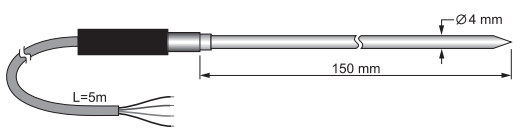
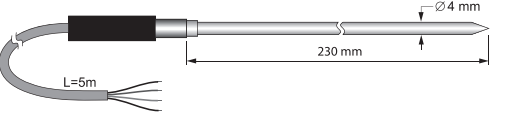
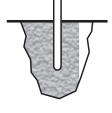
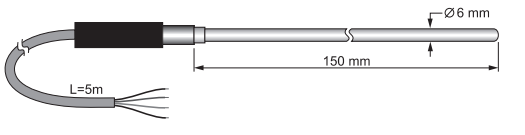
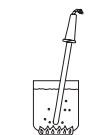
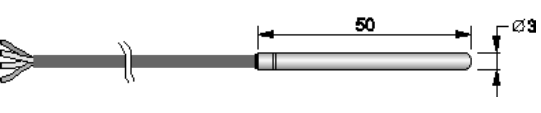
**Pt100 PROBES WITH TP471 SICRAM MODULE**

CODE	T (°C)	ACCURACY	USE	$\tau_{0.63}$	DIMENSIONS
TP878.O	-40 +85	$\pm 0.1$ °C (@ 0 °C) $\pm 0.2$ °C (-50 °C $\leq$ t $\leq$ 250 °C)		60s	Contact probe for solar panels, with SICRAM module. Cable L = 2 m
TP878.1.O	-40 +85	$\pm 0.1$ °C (@ 0 °C) $\pm 0.2$ °C (-50 °C $\leq$ t $\leq$ 250 °C)			Contact probe for solar panels, with SICRAM module. Cable L = 5 m
TP879.O	-20 +120	$\pm 0.1$ °C (@ 0 °C) $\pm 0.2$ °C (-50 °C $\leq$ t $\leq$ 250 °C)		60s	Penetration probe for compost, with SICRAM module. Cable L = 5 m
TP880/300.I	-50 +450	$\pm 0.1$ °C (@ 0 °C) $\pm 0.2$ °C (-50 °C $\leq$ t $\leq$ 250 °C) $\pm 0.3$ °C (t < -50 °C; t > 250 °C)		60s	Mignon head, cable length = 2m 
TP880/600.I	-50 +450	$\pm 0.1$ °C (@ 0 °C) $\pm 0.2$ °C (-50 °C $\leq$ t $\leq$ 250 °C) $\pm 0.3$ °C (t < -50 °C; t > 250 °C)		60s	Mignon head, cable length = 2m 
TP35.5AF.5S	-110 +180	$\pm 0.1$ °C (@ 0 °C) $\pm 0.2$ °C (-50 °C $\leq$ t $\leq$ 250 °C) $\pm 0.3$ °C (t < -50 °C; t > 250 °C)		3s	 Cable L = 5 m. Shield in Inox + PTFE
TP875.I					Globe-thermometer probe for measurement of radiant heat with $\varnothing 150$ mm. Accuracy according to ISO 7243 ISO 7726. Pt100 sensor, 4-wire cable L=2 m. Supplied with SICRAM module.
TP876.I	-30 +120	$\pm 0.1$ °C (@ 0 °C) $\pm 0.2$ °C (-50 °C $\leq$ t $\leq$ 250 °C)		15'	Globe-thermometer probe for measurement of radiant heat with $\varnothing 50$ mm. Accuracy according to ISO 7243 ISO 7726. Pt100 sensor, 4-wire cable L=2 m. Supplied with SICRAM module.

**Pt100/Pt1000 PROBES WITH TP47 CONNECTOR WITHOUT SICRAM MODULE**


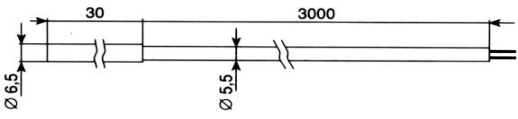
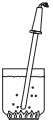
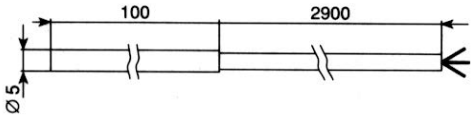
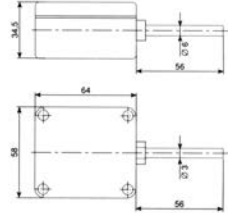
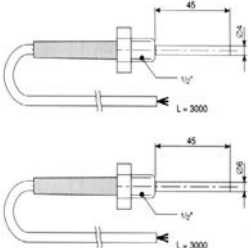
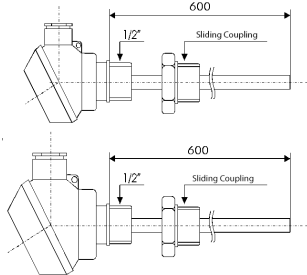
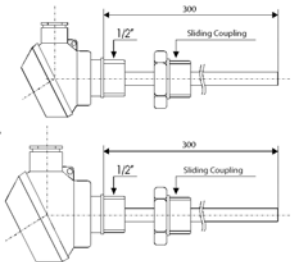
CODE	T (°C)	CLASS	USE	$\tau_{0.63}$	DIMENSIONS
TP47.100.O (Pt100)	-50 +250	Class A		3s	
TP47.1000.O (Pt1000)					
TP87.100.O (Pt100)	-50 +200	Class A		3s	
TP87.1000.O (Pt1000)					

**Pt100 PROBES ENDING WITH FREE WIRES**



TP875.1.I	-30 +120	Class A		15s	Globe-thermometer probe for measurement of radiant heat with $\varnothing 150$ mm. Accuracy according to ISO 7243 ISO 7726. Pt100 sensor, 4-wire cable L=2 m.	
TP876.1.I					Globe-thermometer probe for measurement of radiant heat with $\varnothing 50$ mm. Accuracy according to ISO 7243 - ISO 7726. Pt100 sensor, 4-wire cable L=2 m.	
TP878.1SS.O	-40 +85	Class A		60s	Contact probe for solar panels 4-wire cable L = 5 m	
TP879.1.O	-20 +120	Class A		60s	Penetration probe for compost 4-wire cable L = 5 m	
TP32MT.1P.I	-40 +100	Class A		40s		
TP32MT.1P.2	-50 +250	Class A		40s		
TP32MT.2.I	-40 +100	Class A		60s		
TP35.5AF.5	-110 +180	Class A		3s	 Cable L = 5 m. Shield in Inox + PTFE	



**TEMPERATURE PROBES FOR INDUSTRIAL USE**

CODE	T (°C)	CLASS	USE	$\tau_{0.63}$	DIMENSIONS
HD882/EK (KTY81)	-40 +150	Not applicable		5s	
HD882/ E/100 (Pt100)	-50 +300	Class A		5s	
HD882/GK (KTY81)	-50 +100	Not applicable	Environmental	5s	
HD882/G100 (Pt100)	-50 +100	Class A	Environmental	5s	
HD882/L104 (Pt100)	0 +250	Class A	Process Thread	7s	
HD882/L106 (Pt100)	0 +250	Class A	Process Thread	15s	
HD882M100/600 (Pt100)	-50 +450	Class A	Process Thread - Miniature Head	15s	
HD882DM100/600 (Pt100)	-50 +450	Class A	Process Thread - DIN B Head	15s	
HD882M100/300 (Pt100)	-40 +100	Class A	Process Thread - Miniature Head	15s	
HD882DM100/300 (Pt100)	-50 +250	Class A	Process Thread - DIN B Head	15s	

**CONNECTORS**

TP47	Connector without SICRAM module. It can be connected to 4-wire Pt100 probes (and 3-wire with some instruments) or 2-wire Pt1000 probes.	
TP471	Connector with SICRAM electronic module for the connection of resistance thermometers and the correction of the characteristic of the sensor. It can be connected to 3-wire or 4-wire Pt100Ω platinum temperature probes. assembling and calibration only in Delta OHM	

<b>Архангельск</b> (8182)63-90-72	<b>Ижевск</b> (3412)26-03-58	<b>Магнитогорск</b> (3519)55-03-13	<b>Пермь</b> (342)205-81-47	<b>Сургут</b> (3462)77-98-35
<b>Астана</b> (7172)727-132	<b>Иркутск</b> (395)279-98-46	<b>Москва</b> (495)268-04-70	<b>Ростов-на-Дону</b> (863)308-18-15	<b>Тверь</b> (4822)63-31-35
<b>Астрахань</b> (8512)99-46-04	<b>Казань</b> (843)206-01-48	<b>Мурманск</b> (8152)59-64-93	<b>Рязань</b> (4912)46-61-64	<b>Томск</b> (3822)98-41-53
<b>Барнаул</b> (3852)73-04-60	<b>Калининград</b> (4012)72-03-81	<b>Набережные Челны</b> (8552)20-53-41	<b>Самара</b> (846)206-03-16	<b>Тула</b> (4872)74-02-29
<b>Белгород</b> (4722)40-23-64	<b>Калуга</b> (4842)92-23-67	<b>Нижний Новгород</b> (831)429-08-12	<b>Санкт-Петербург</b> (812)309-46-40	<b>Тюмень</b> (3452)66-21-18
<b>Брянск</b> (4832)59-03-52	<b>Кемерово</b> (3842)65-04-62	<b>Новокузнецк</b> (3843)20-46-81	<b>Саратов</b> (845)249-38-78	<b>Ульяновск</b> (8422)24-23-59
<b>Владивосток</b> (423)249-28-31	<b>Киров</b> (8332)68-02-04	<b>Новосибирск</b> (383)227-86-73	<b>Севастополь</b> (8692)22-31-93	<b>Уфа</b> (347)229-48-12
<b>Волгоград</b> (844)278-03-48	<b>Краснодар</b> (861)203-40-90	<b>Омск</b> (3812)21-46-40	<b>Симферополь</b> (3652)67-13-56	<b>Хабаровск</b> (4212)92-98-04
<b>Вологда</b> (8172)26-41-59	<b>Красноярск</b> (391)204-63-61	<b>Орел</b> (4862)44-53-42	<b>Смоленск</b> (4812)29-41-54	<b>Челябинск</b> (351)202-03-61
<b>Воронеж</b> (473)204-51-73	<b>Курск</b> (4712)77-13-04	<b>Оренбург</b> (3532)37-68-04	<b>Сочи</b> (862)225-72-31	<b>Череповец</b> (8202)49-02-64
<b>Екатеринбург</b> (343)384-55-89	<b>Липецк</b> (4742)52-20-81	<b>Пенза</b> (8412)22-31-16	<b>Ставрополь</b> (8652)20-65-13	<b>Ярославль</b> (4852)69-52-93
<b>Иваново</b> (4932)77-34-06	<b>Киргизия</b> (996)312-96-26-47	<b>Казахстан</b> (772)734-952-31	<b>Таджикистан</b> (992)427-82-92-69	

**Единый адрес для всех регионов: [dmh@nt-rt.ru](mailto:dmh@nt-rt.ru) || [www.deltaohm.nt-rt.ru](http://www.deltaohm.nt-rt.ru)**