

Источники звука DELTA OHM HD2050.30, HD2050.40

Технические характеристики

Архангельск (8182)63-90-72
Астана (7172)727-132
Астрахань (8512)99-46-04
Барнаул (3852)73-04-60
Белгород (4722)40-23-64
Брянск (4832)59-03-52
Владивосток (423)249-28-31
Волгоград (844)278-03-48
Вологда (8172)26-41-59
Воронеж (473)204-51-73
Екатеринбург (343)384-55-89
Иваново (4932)77-34-06

Ижевск (3412)26-03-58
Иркутск (395)279-98-46
Казань (843)206-01-48
Калининград (4012)72-03-81
Калуга (4842)92-23-67
Кемерово (3842)65-04-62
Киров (8332)68-02-04
Краснодар (861)203-40-90
Красноярск (391)204-63-61
Курск (4712)77-13-04
Липецк (4742)52-20-81
Киргизия (996)312-96-26-47

Магнитогорск (3519)55-03-13
Москва (495)268-04-70
Мурманск (8152)59-64-93
Набережные Челны (8552)20-53-41
Нижний Новгород (831)429-08-12
Новокузнецк (3843)20-46-81
Новосибирск (383)227-86-73
Омск (3812)21-46-40
Орел (4862)44-53-42
Оренбург (3532)37-68-04
Пенза (8412)22-31-16
Казахстан (772)734-952-31

Пермь (342)205-81-47
Ростов-на-Дону (863)308-18-15
Рязань (4912)46-61-64
Самара (846)206-03-16
Санкт-Петербург (812)309-46-40
Саратов (845)249-38-78
Севастополь (8692)22-31-93
Симферополь (3652)67-13-56
Смоленск (4812)29-41-54
Сочи (862)225-72-31
Ставрополь (8652)20-65-13
Таджикистан (992)427-82-92-69

Сургут (3462)77-98-35
Тверь (4822)63-31-35
Томск (3822)98-41-53
Тула (4872)74-02-29
Тюмень (3452)66-21-18
Ульяновск (8422)24-23-59
Уфа (347)229-48-12
Хабаровск (4212)92-98-04
Челябинск (351)202-03-61
Череповец (8202)49-02-64
Ярославль (4852)69-52-93

Единый адрес для всех регионов: dmh@nt-rt.ru || www.deltaohm.nt-rt.ru



Software Podware: user defined frequency response equalization

HD2050.30 - Directional Sound Source for façade insulations

The façade passive directional loudspeaker HD 2050.30 is the ideal tool to create a uniform sound field in front of a building.

HD2050.30 provides not only the high output emission in a frequency range extended from 70 Hz to 20 kHz, which is necessary to minimize background noise contribution, but also a uniform sound distribution, especially at higher frequencies, which is guaranteed by the particular construction of the high frequencies driver. With this solution, phenomena of sound concentration due to the directionality of the normal transducers when used near the wall, are greatly reduced especially on the high range; measurement accuracy is therefore improved.

Features:

- **High Power Level**
With a 129 dB spl, HD 2050.30 loudspeaker allows to perform measurements on high insulated façade even in the presence of high background noise.
- **Versatility**
HD 2050.30 directional loudspeaker can be easily positioned in the typical situations found during façade testing. A **specific support** is available for **45° positioning** both on the land and on the stand; with the latter system user can gain valuable meters in front of the façade, where often space is little. The weight of 13.5 kg is the right compromise between power emission and portability.
- Excellent diffusion of acoustic field at high frequency.
- Wireless remote control with HD2050.20 digital power amplifier.

Applications:

- Façade sound insulation
- Sound absorption

Technical specifications:

RMS Power	300 W
Nominal impedance	8 ohm
Loudspeakers	Low frequency 1 x 10" (neodimium magnet) High frequency 1 x 1" (Mylar®)
Emission	129 dB spl peak @ 1 m
Frequency range	70 Hz ÷ 20 kHz
Connectors	2x Neutrik® NL4 speakON
Dimensions	30.5 x 49 x 33.3 cm
Weight	13.5 kg
Carriage	Protective bag
Finishing	Geal-coat anti-scratch
Amplifier	To be combined with HD2050.20 digital power amplifier
Holder	Adjustable to 45° with hole for mounting on standard tripod HD2050.1

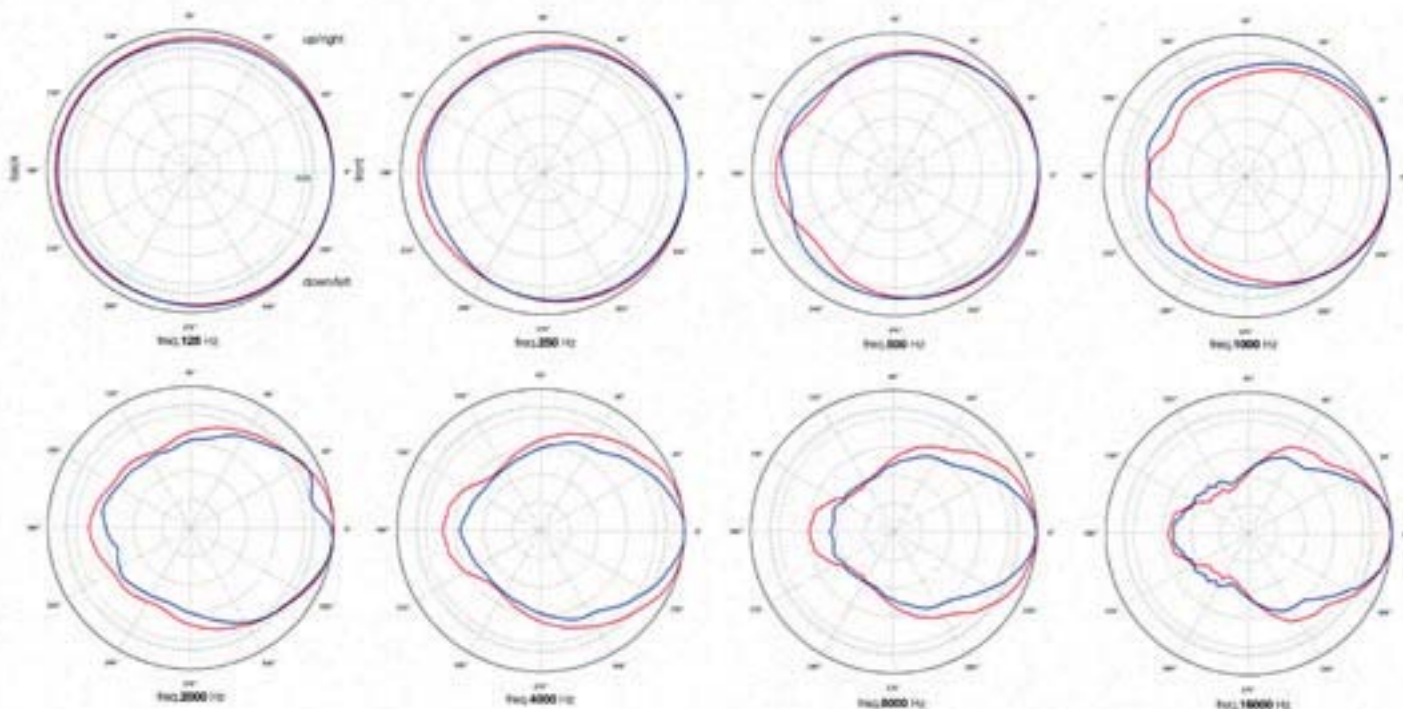
Note: Mylar® is a registered trademark of Dupont Teijin Films. Neutrik® is a registered trademark of Neutrik AG.

Input



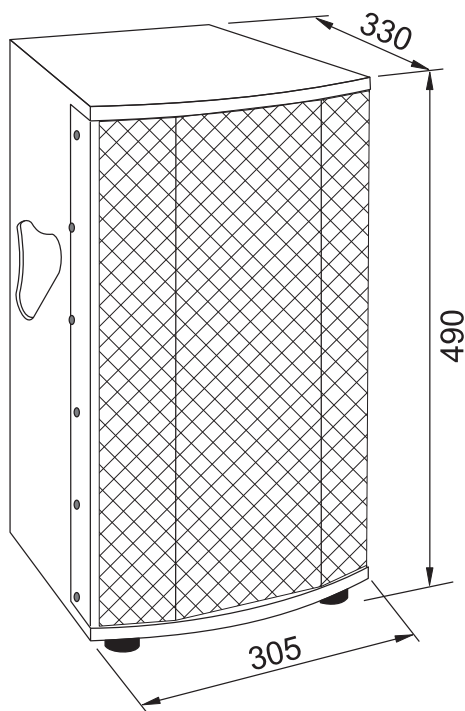
HD2050.30

Directivity:
Polar diagrams by frequency referred to emission axis.



Polar diagram referred to axis:
 — : horizontal
 — : vertical
 - - - : 10 dB/divided into 30° sections

Dimensions (mm)



ORDERING CODES

HD2050.30: Directional façade loudspeaker, user manual (Signal cable HD2050.1.5 not included).

Accessories

HD2050.30.1: Protective bag for HD2050.30 loudspeaker.

HD2050.30.2: 45° adjustable holder. It allows to direct the loudspeaker to 45° and to hoist it on the HD2050.1 stand.

HD2050.1: Stand for HD2050 dodecahedron, with steering wheels, extensible and retractile. Minimum height 1300 mm, maximum height 2050 mm Damping of the extensible rod.

HD2050.1.5: Signal cable, length 5 m.

HD2050.20: Digital power amplifier with integrated parametric equaliser. Includes flight case, Podware software, power supply cable HD2050.2, integrated wireless remote control HD2050.20R, user manual.

HD2050.40 - Subwoofer

HD2050.40 passive subwoofer, is designed to work in conjunction with HD2050 dodecahedron. The system composed of HD2050.40 subwoofer, HD2050 dodecahedron and HD2050.20 digital power amplifier, allows to meet measurement requirements in the highest acoustic insulation situations.

Acoustic testing laboratories, high performance acoustic materials manufacturers, acoustic engineers with specific measurement needs or in general where it is needed a lot of sound energy at low and high frequency, they will find in this system a complete and effective tool.

Features:

- **High performance materials Sound Insulation**
A 130 dB SPL in the frequency range **45 Hz to 120 Hz** allows the subwoofer HD2050.40, combined with HD2050 dodecahedron and HD2050.20 digital power amplifier, to excite rooms in order to measure extremely high insulations at lower frequencies. HD2050.40 is the correct solution for laboratories with measurement requirements up to date with the development of high-performance insulating materials in construction and shipbuilding fields.
- **Large rooms architectural acoustics**
HD2050.40 subwoofer integrates HD2050 dodecahedron in applications where reverberation time measurement of high-volume environments is needed. In such environments, often the sound power and frequency extension characteristics of dodecahedron loudspeaker, are not sufficient to recreate a good diffuse sound field or even high sound pressure levels on the walls of large rooms. The measures in these sound field conditions can be unreliable, or heavily dependent on the need for a very low background noise. In these cases, HD2050.40 is the correct solution.

Applications:

- High level sound insulation
- Sound absorption
- Large rooms reverberation time measurements

Technical specifications:

RMS Power	500 W
Nominal impedance	4 ohm
Loudspeaker	LF 1 x 12" (neodimium magnet)
Emission	130 dB spl peak @ 1 m
Frequency range	45 Hz ÷ 120 Hz
Connectors	2x Neutrik® NL4 speakON
Dimensions	590 x 500 x 370 mm
Weight	22 kg
Finishing	Geal-coat anti-scratch
Amplifier	To be combined with HD2050.20 digital power amplifier

Note: Neutrik® is a registered trademark of Neutrik AG.

ORDERING CODES

HD2050.40: Subwoofer supplied with steering wheels, instruction manual. (for the connection to the HD2050 dodecahedron it is necessary the signal cable HD2050.1.2 not included).

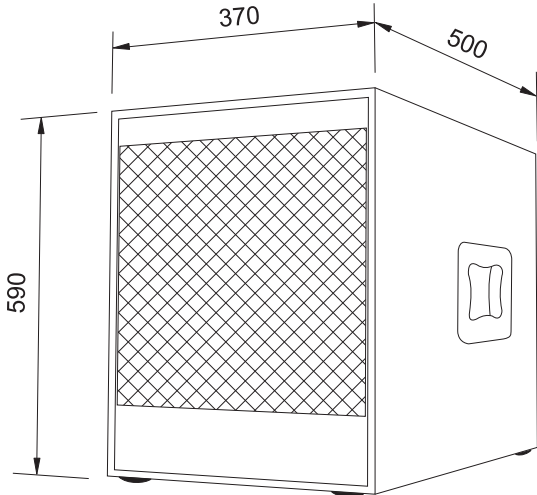
Accessories

HD2050.40.1: Extensible stand for HD2050.40 subwoofer. Minimum height 1370 mm, maximum height 1970 mm (subwoofer + stand + wheels).

HD2050.1.5: Signal cable, length 5 m.

HD2050.1.2: Signal cable, length 2 m.

Dimensions (mm)



Ordering codes for complete building acoustics system

HD2040: Machine for the generation of impact noise in accordance with ISO 140-6 and 140-7, ASTM E492 and E1007. Complete with rechargeable lithium ion battery, built-in battery charger, remote control, 13 mm wrench, instruction manual. **Optional carrying case.**

HD2040-V: Carrying case for tapping machine.

HD2050: Dodecahedral loudspeaker according to ISO 140-3 and ISO 3382 standards. Including signal cable HD2050.1.5, cable HD2050.1.L. User manual. Carrying case.

HD2050.1: Stand for dodecahedron HD2050, with steering wheels, extensible and retractile. Minimum height 1300mm, maximum height 2050mm. Damping of the extensible rod. Supplied with protective bag.

HD2050.20: Digital power amplifier with integrated parametric equaliser. Includes flight case, Podware software, power supply cable HD2050.2, integrated wireless remote control HD2050.20R, user manual.

HD2050.30: Directional façade loudspeaker, user manual (signal cable HD2050.1.5 not included).

HD2050.30.1: Protective bag for HD2050.30 loudspeaker.

HD2050.30.2: 45° adjustable holder. It allows to direct the loudspeaker to 45° and to hoist it on the HD2050.1 stand.

HD2050.40: Subwoofer supplied with steering wheels, instruction manual. (for the connection to the HD2050 dodecahedron it is necessary the signal cable HD2050.1.2 not included)

HD2050.40.1: Extensible stand for HD2050.40 subwoofer. Minimum height 1370 mm, maximum height 1970 mm (subwoofer + stand + wheels).

HD2050.1.2: Signal cable, length 2 m.



HD2050.40.1



HD2050.40



HD2050.40

Input



Архангельск (8182)63-90-72	Ижевск (3412)26-03-58	Магнитогорск (3519)55-03-13	Пермь (342)205-81-47	Сургут (3462)77-98-35
Астана (7172)727-132	Иркутск (395)279-98-46	Москва (495)268-04-70	Ростов-на-Дону (863)308-18-15	Тверь (4822)63-31-35
Астрахань (8512)99-46-04	Казань (843)206-01-48	Мурманск (8152)59-64-93	Рязань (4912)46-61-64	Томск (3822)98-41-53
Барнаул (3852)73-04-60	Калининград (4012)72-03-81	Набережные Челны (8552)20-53-41	Самара (846)206-03-16	Тула (4872)74-02-29
Белгород (4722)40-23-64	Калуга (4842)92-23-67	Нижний Новгород (831)429-08-12	Санкт-Петербург (812)309-46-40	Тюмень (3452)66-21-18
Брянск (4832)59-03-52	Кемерово (3842)65-04-62	Новокузнецк (3843)20-46-81	Саратов (845)249-38-78	Ульяновск (8422)24-23-59
Владивосток (423)249-28-31	Киров (8332)68-02-04	Новосибирск (383)227-86-73	Севастополь (8692)22-31-93	Уфа (347)229-48-12
Волгоград (844)278-03-48	Краснодар (861)203-40-90	Омск (3812)21-46-40	Симферополь (3652)67-13-56	Хабаровск (4212)92-98-04
Вологда (8172)26-41-59	Красноярск (391)204-63-61	Орел (4862)44-53-42	Смоленск (4812)29-41-54	Челябинск (351)202-03-61
Воронеж (473)204-51-73	Курск (4712)77-13-04	Оренбург (3532)37-68-04	Сочи (862)225-72-31	Череповец (8202)49-02-64
Екатеринбург (343)384-55-89	Липецк (4742)52-20-81	Пенза (8412)22-31-16	Ставрополь (8652)20-65-13	Ярославль (4852)69-52-93
Иваново (4932)77-34-06	Киргизия (996)312-96-26-47	Казахстан (772)734-952-31	Таджикистан (992)427-82-92-69	

Единый адрес для всех регионов: dmh@nt-rt.ru || www.deltaohm.nt-rt.ru