

# Станции для ведения наблюдения шума DELTA OHM HD2011NMT

## Технические характеристики



Noise Monitoring Terminal with remote control

For short-medium term or permanent unattended outdoor installations

Архангельск (8182)63-90-72  
Астана (7172)727-132  
Астрахань (8512)99-46-04  
Барнаул (3852)73-04-60  
Белгород (4722)40-23-64  
Брянск (4832)59-03-52  
Владивосток (423)249-28-31  
Волгоград (844)278-03-48  
Вологда (8172)26-41-59  
Воронеж (473)204-51-73  
Екатеринбург (343)384-55-89  
Иваново (4932)77-34-06

Ижевск (3412)26-03-58  
Иркутск (395)279-98-46  
Казань (843)206-01-48  
Калининград (4012)72-03-81  
Калуга (4842)92-23-67  
Кемерово (3842)65-04-62  
Киров (8332)68-02-04  
Краснодар (861)203-40-90  
Красноярск (391)204-63-61  
Курск (4712)77-13-04  
Липецк (4742)52-20-81  
Киргизия (996)312-96-26-47

Магнитогорск (3519)55-03-13  
Москва (495)268-04-70  
Мурманск (8152)59-64-93  
Набережные Челны (8552)20-53-41  
Нижний Новгород (831)429-08-12  
Новокузнецк (3843)20-46-81  
Новосибирск (383)227-86-73  
Омск (3812)21-46-40  
Орел (4862)44-53-42  
Оренбург (3532)37-68-04  
Пенза (8412)22-31-16  
Казахстан (772)734-952-31

Пермь (342)205-81-47  
Ростов-на-Дону (863)308-18-15  
Рязань (4912)46-61-64  
Самара (846)206-03-16  
Санкт-Петербург (812)309-46-40  
Саратов (845)249-38-78  
Севастополь (8692)22-31-93  
Симферополь (3652)67-13-56  
Смоленск (4812)29-41-54  
Сочи (862)225-72-31  
Ставрополь (8652)20-65-13  
Таджикистан (992)427-82-92-69

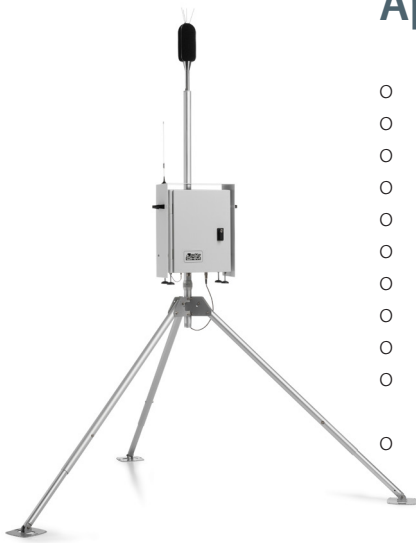
Сургут (3462)77-98-35  
Тверь (4822)63-31-35  
Томск (3822)98-41-53  
Тула (4872)74-02-29  
Тюмень (3452)66-21-18  
Ульяновск (8422)24-23-59  
Уфа (347)229-48-12  
Хабаровск (4212)92-98-04  
Челябинск (351)202-03-61  
Череповец (8202)49-02-64  
Ярославль (4852)69-52-93

Единый адрес для всех регионов: [dmh@nt-rt.ru](mailto:dmh@nt-rt.ru) || [www.deltaohm.nt-rt.ru](http://www.deltaohm.nt-rt.ru)

# Noise Monitoring Terminal

## HD2011NMT

HD2011NMT is designed to be part of a network of noise monitoring terminals or a stand alone unit. Each HD2011NMT is able to work unattended in permanent, semipermanent and portable installations (depending on version). Each unit or the whole network can be remotely controlled and fully managed by NS4 "monitor" application software. Noise and meteo data can be acquired, recorded, displayed and transmitted remotely.



## Application Fields

- o Environmental noise monitoring
- o Construction sites noise monitoring
- o Workplaces monitoring
- o Industrial noise
- o Transportation noise
- o Noise mapping
- o Noise barrier verification
- o City noise
- o Airport noise
- o Short-medium term noise compliants investigations
- o Combined noise and meteo monitoring



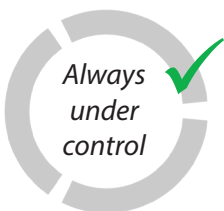
## Advantages / Benefits



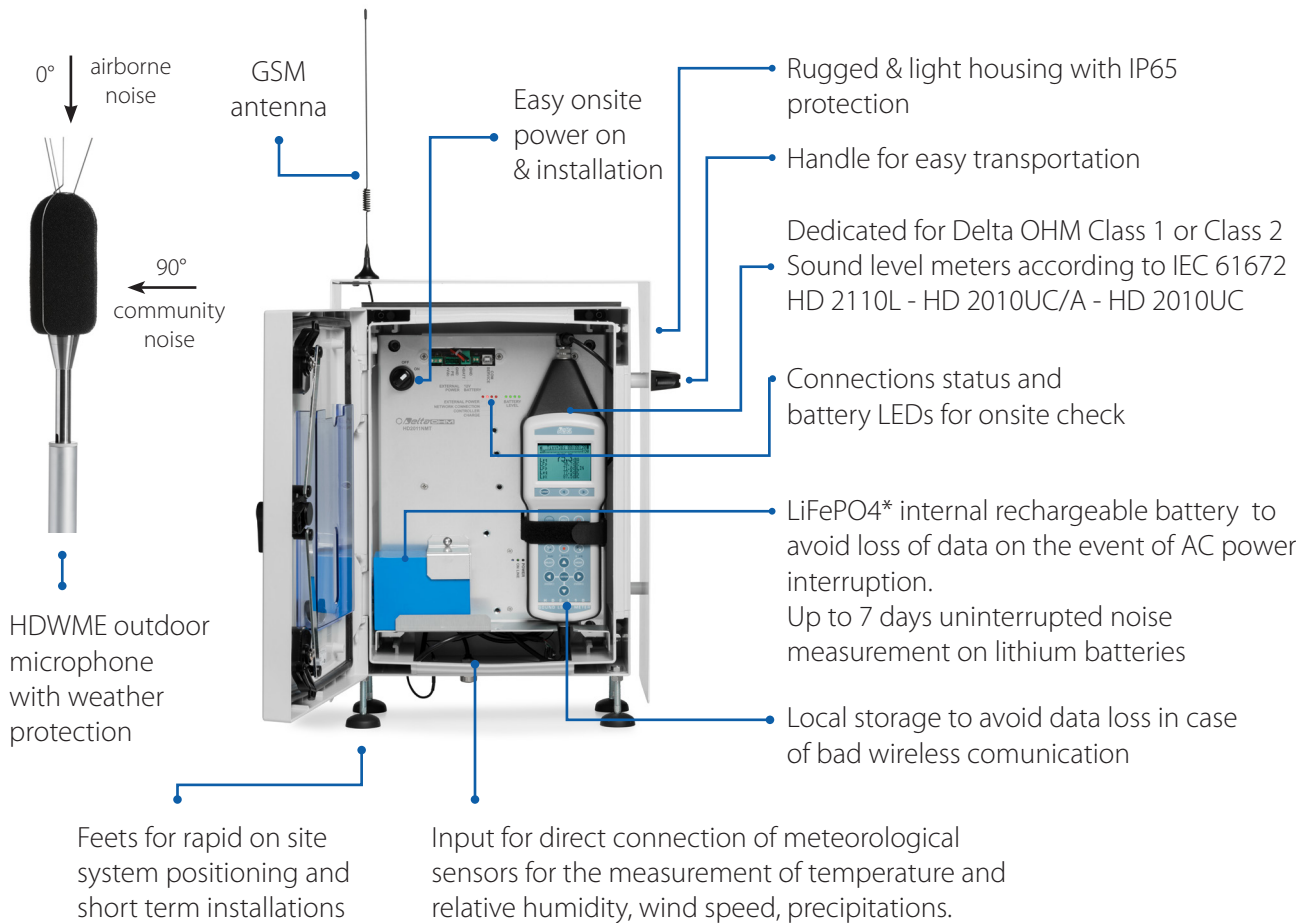
- o Easy terminal installation and startup
- o Administration and user full control of system and data from your office
- o Multi-terminal and multi-client applications for data sharing among controllers, consultants and project leaders or even public
- o Automatic data storage in a remote ftp site (Delta OHM or user FTP)



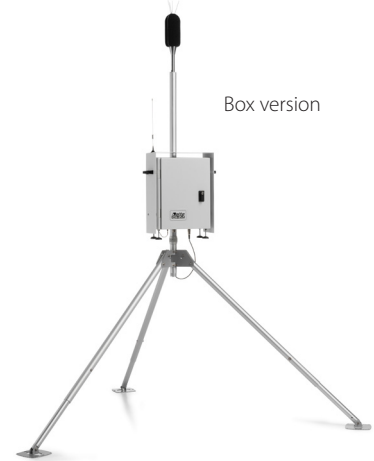
- o Type approved Class1 or Class2 IEC 61672 noise measurements
- o Real time spectral analysis according to IEC 61260
- o Continuous and scheduled acquisitions
- o Integrated electrical calibration for easy system periodic check
- o Very fast measurement with acquisition down to 1/32 sec



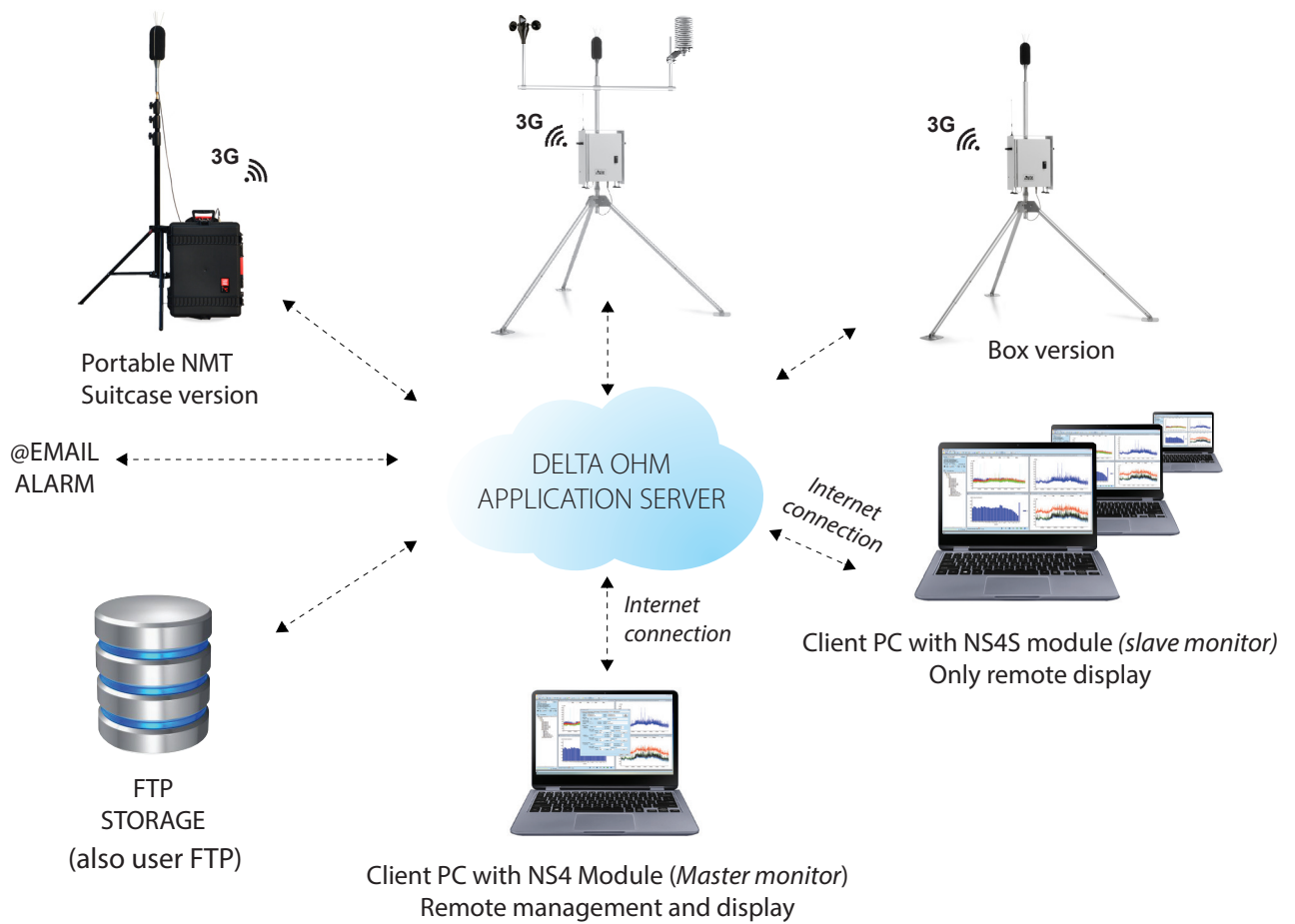
- o Advanced trigger and alarm function on noise events and meteo data
- o Local alarm (relais activation) based on noise and/or meteo data exceedences
- o Automatic status email notification: battery, storage calibration deviation, triggers and alarms
- o Real time data streaming capabilities



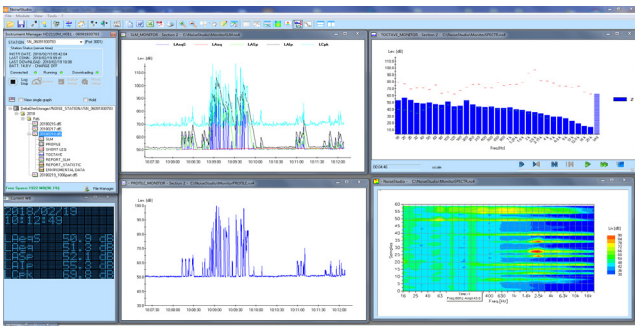
Version	Box version	Suitcase version
Monitoring	Medium-long term	Short term
Precision class	cl.1 or cl.2* (IEC61672)	
Parameters	Leq, Lp, LN, Lpk	
Freq.analysis	1/3 oct. up to 20KHz*	
Statistical analysis	Percentile levels and/or full statistics	
Logging Resolution	From 1/32s* up to 1h	
Automatic calibration	CIC 104dB 1KHz	
Localization	GPS module*	
Communication	3G/GPRS TCP/IP	
Data Storage	Delta Ohm FTP or user FTP	
Enclosure Protection	IP 65	IP 67
Exceedence Alarms	e-mail + Real time	e-mail
Power*	Batteries, mains or solar	Batteries/Mains
Battery operation	48h or 7days	
Solar panel operation	Up to 10days without sunlight	n/a
Dimension	500x420x210 mm	550x420x260 mm (trolley type)
Management software	NS4 "monitor"	
Analysis software	NS2A and NS5	
Microphone Mast	Up to 4 mt height	



\*depending on model of SLM installed and/or options purchased



## Application Software



NS4 "Monitor" real-time logging and display

\* depending on SLMs model installed and/or options purchased

- o A dashboard is available for each terminal providing status information: battery charge, storage space, logging mode and local time
- o Up to 12 broadband parameters + 1/3oct + statistics\*
- o Parallel frequency weighting and time constants
- o Datalogging with differentiated time periods from 1/32s\* to 1h (short time history, time history, report)
- o Continuous, single or repeated interval logging mode (SCHEDULER)
- o Easy terminal setup - quick and reliable data access
- o Automated e-mail alerts and real-time monitoring functions for events detection
- o Access to data and setup from any location around the world
- o Configurable remote calibration
- o Customizable terminal setup

<b>Архангельск</b> (8182)63-90-72	<b>Ижевск</b> (3412)26-03-58	<b>Магнитогорск</b> (3519)55-03-13	<b>Пермь</b> (342)205-81-47	<b>Сургут</b> (3462)77-98-35
<b>Астана</b> (7172)727-132	<b>Иркутск</b> (395)279-98-46	<b>Москва</b> (495)268-04-70	<b>Ростов-на-Дону</b> (863)308-18-15	<b>Тверь</b> (4822)63-31-35
<b>Астрахань</b> (8512)99-46-04	<b>Казань</b> (843)206-01-48	<b>Мурманск</b> (8152)59-64-93	<b>Рязань</b> (4912)46-61-64	<b>Томск</b> (3822)98-41-53
<b>Барнаул</b> (3852)73-04-60	<b>Калининград</b> (4012)72-03-81	<b>Набережные Челны</b> (8552)20-53-41	<b>Самара</b> (846)206-03-16	<b>Тула</b> (4872)74-02-29
<b>Белгород</b> (4722)40-23-64	<b>Калуга</b> (4842)92-23-67	<b>Нижний Новгород</b> (831)429-08-12	<b>Санкт-Петербург</b> (812)309-46-40	<b>Тюмень</b> (3452)66-21-18
<b>Брянск</b> (4832)59-03-52	<b>Кемерово</b> (3842)65-04-62	<b>Новокузнецк</b> (3843)20-46-81	<b>Саратов</b> (845)249-38-78	<b>Ульяновск</b> (8422)24-23-59
<b>Владивосток</b> (423)249-28-31	<b>Киров</b> (8332)68-02-04	<b>Новосибирск</b> (383)227-86-73	<b>Севастополь</b> (8692)22-31-93	<b>Уфа</b> (347)229-48-12
<b>Волгоград</b> (844)278-03-48	<b>Краснодар</b> (861)203-40-90	<b>Омск</b> (3812)21-46-40	<b>Симферополь</b> (3652)67-13-56	<b>Хабаровск</b> (4212)92-98-04
<b>Вологда</b> (8172)26-41-59	<b>Красноярск</b> (391)204-63-61	<b>Орел</b> (4862)44-53-42	<b>Смоленск</b> (4812)29-41-54	<b>Челябинск</b> (351)202-03-61
<b>Воронеж</b> (473)204-51-73	<b>Курск</b> (4712)77-13-04	<b>Оренбург</b> (3532)37-68-04	<b>Сочи</b> (862)225-72-31	<b>Череповец</b> (8202)49-02-64
<b>Екатеринбург</b> (343)384-55-89	<b>Липецк</b> (4742)52-20-81	<b>Пенза</b> (8412)22-31-16	<b>Ставрополь</b> (8652)20-65-13	<b>Ярославль</b> (4852)69-52-93
<b>Иваново</b> (4932)77-34-06	<b>Киргизия</b> (996)312-96-26-47	<b>Казахстан</b> (772)734-952-31	<b>Таджикистан</b> (992)427-82-92-69	

**Единый адрес для всех регионов: [dmh@nt-rt.ru](mailto:dmh@nt-rt.ru) || [www.deltaohm.nt-rt.ru](http://www.deltaohm.nt-rt.ru)**